

gala

Reference G3927000
Description Basin mixer
Collection SíA



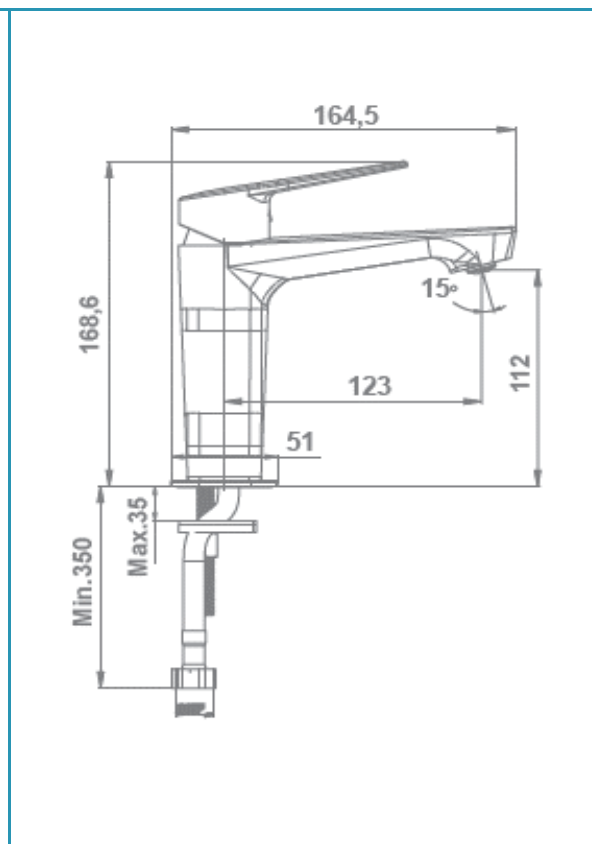
TECHNICAL SPECIFICATIONS

- Single lever mixer with cold start
- Flow restrictor to 5 l/min included
- Contributes to obtaining BREEAM, LEED and VERDE certifications through its sustainable use of water
- Produced with recycled materials
- The alloy used to produce it is included in the "European Positive List" (no migration of hazardous materials to water)
- G-Last chrome technology: high resistance against scratches

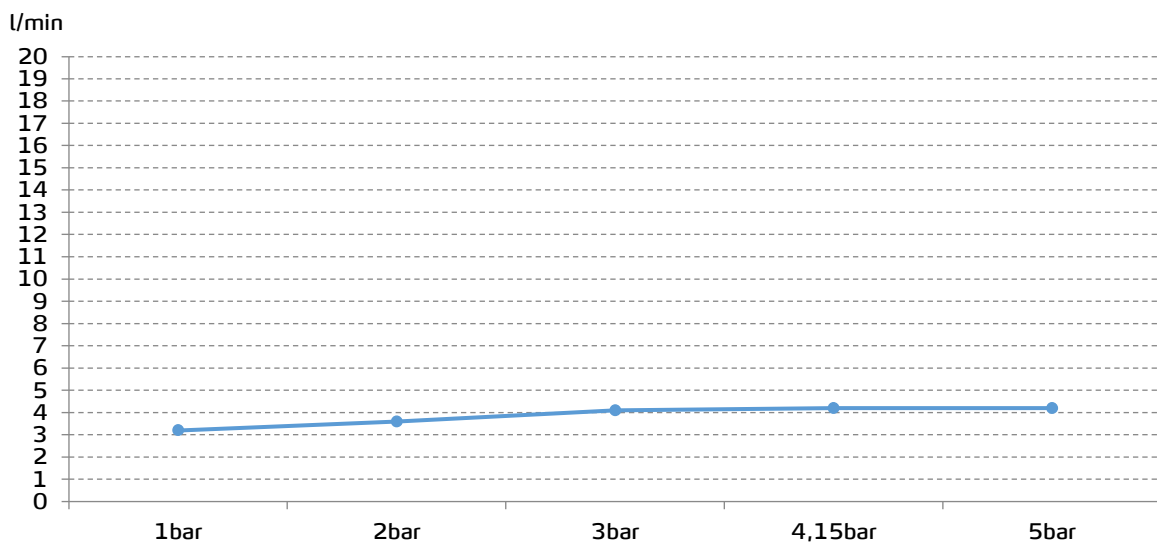
Ceramic discs cartridge $\varnothing 35$ mm

3/8" flexible connection hoses included

Installation with up-down valve



FLOW RATE



Data measured in maximum flow position with mixed water