

gala

Reference G3931700
Description Bath and shower mixer with shower set
Collection BALANCE



TECHNICAL SPECIFICATIONS



Single lever mixer with cold start

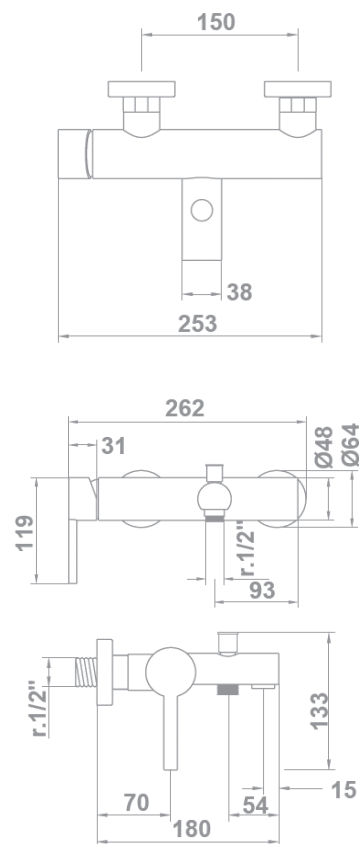


Eco-friendly cartridge with two-step opening

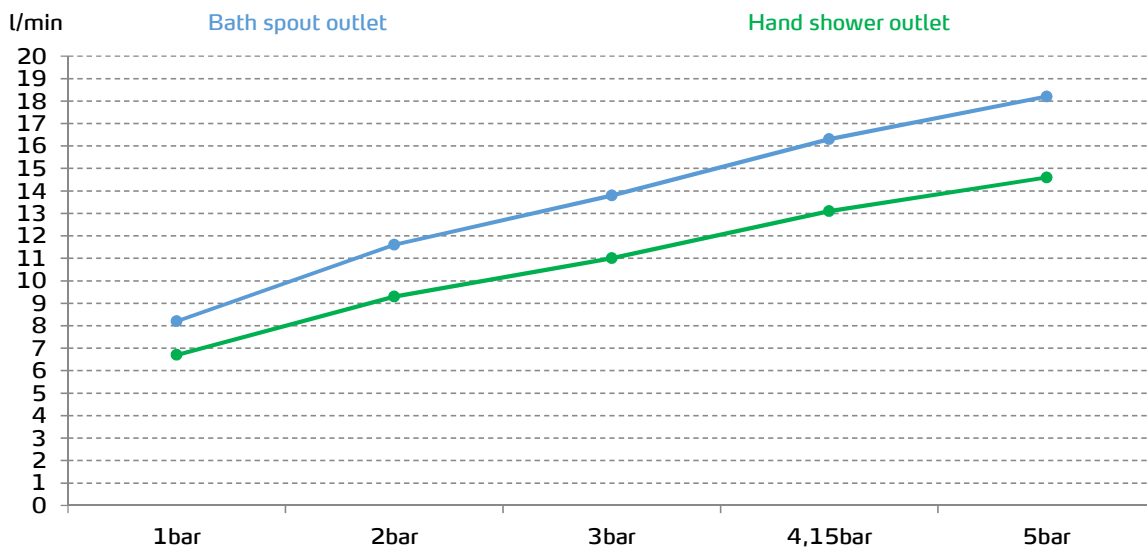
Ceramic discs cartridge $\varnothing 40$ mm

Shower set included:

- 170 cm satin flexible hose
- Hand shower
- Hand shower holder



FLOW RATE



Data measured in maximum flow position with mixed water