

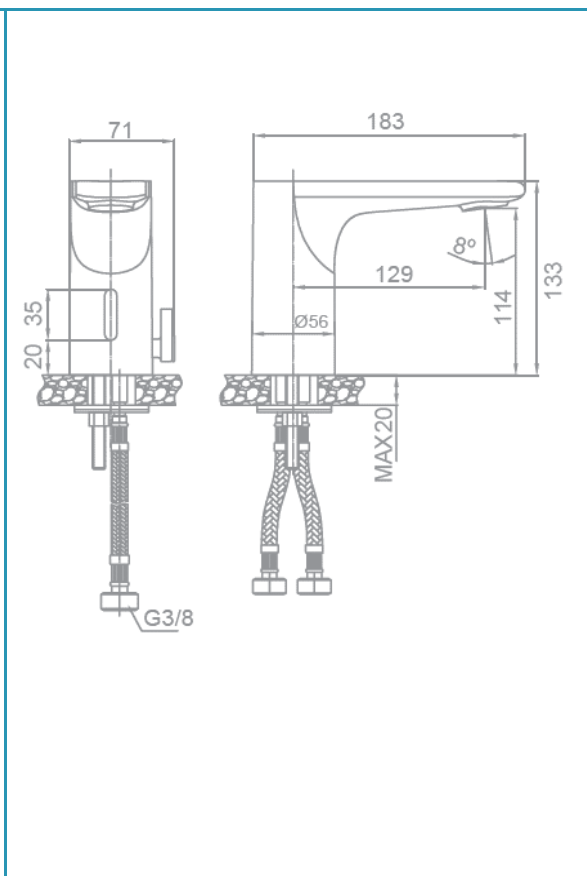
gala

Reference G3989600
Description Electronic basin mixer
Collection ELECTRONICS

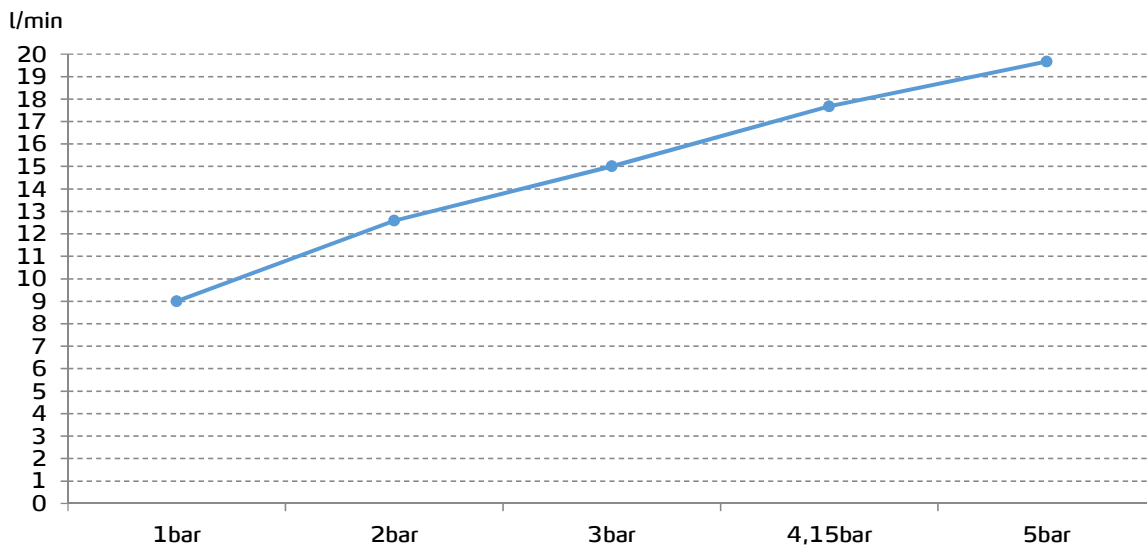


TECHNICAL SPECIFICATIONS

- Electronic basin mixer
(two water inlets: hot and cold)
- Anti-vandal aerator
- Power supply (220V) and with batteries (4 x 1,5V)
- Sensor-activated
- 3/8" flexible connection hose included
- Installation with up-down valve



FLOW RATE



Data measured in maximum flow position with mixed water