

gala

Reference G3989900
Description Kitchen mixer
Collection CLUNIA

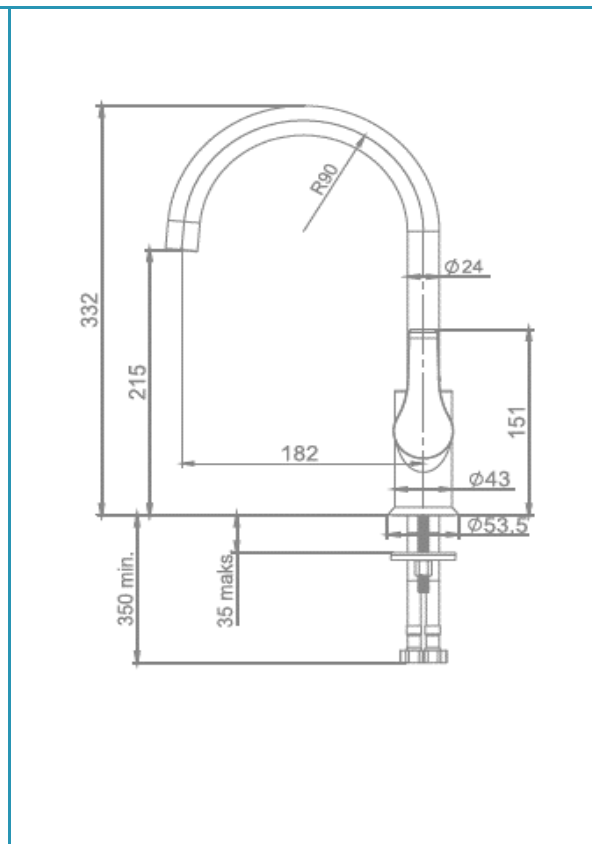


TECHNICAL SPECIFICATIONS

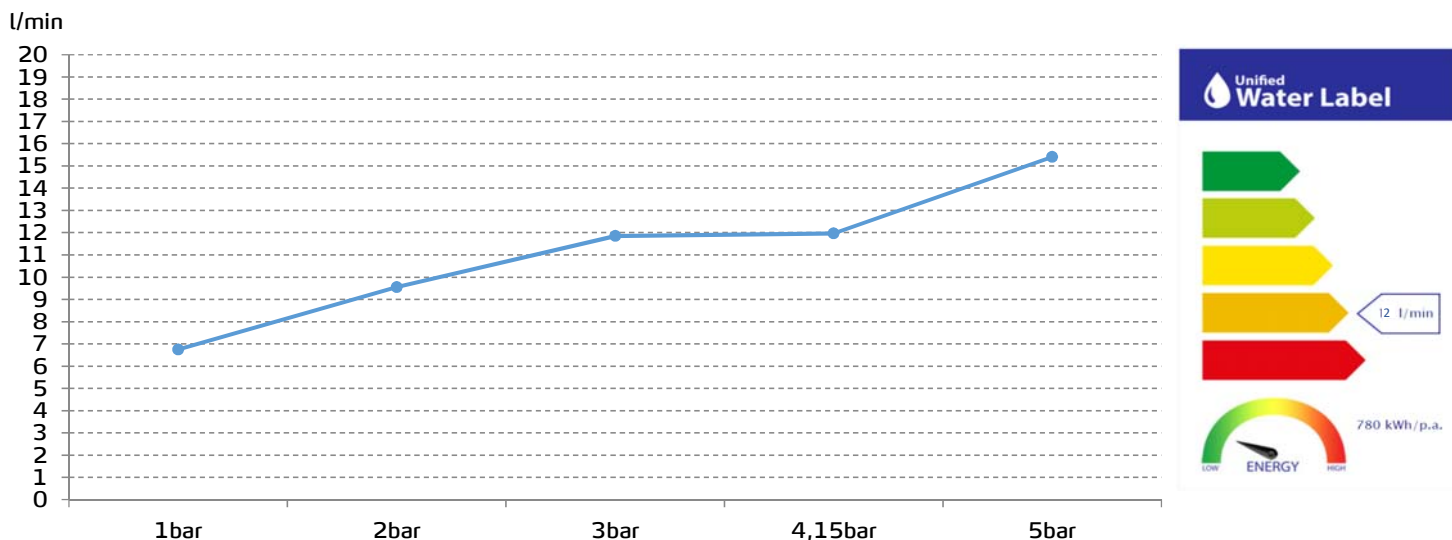
- Single lever mixer with cold start
- Rotating spout
- AENOR certification (in progress)
- Contributes to obtaining BREEAM, LEED and VERDE certifications through its sustainable use of water
- Produced with recycled materials
- The alloy used to produce it is included in the "European Positive List" (no migration of hazardous materials to water)
- Low noise level
- G-Last chrome technology: high resistance against scratches

Ceramic discs cartridge $\varnothing 35$ mm

3/8" flexible connection hoses included



FLOW RATE



Data measured in maximum flow position with mixed water