

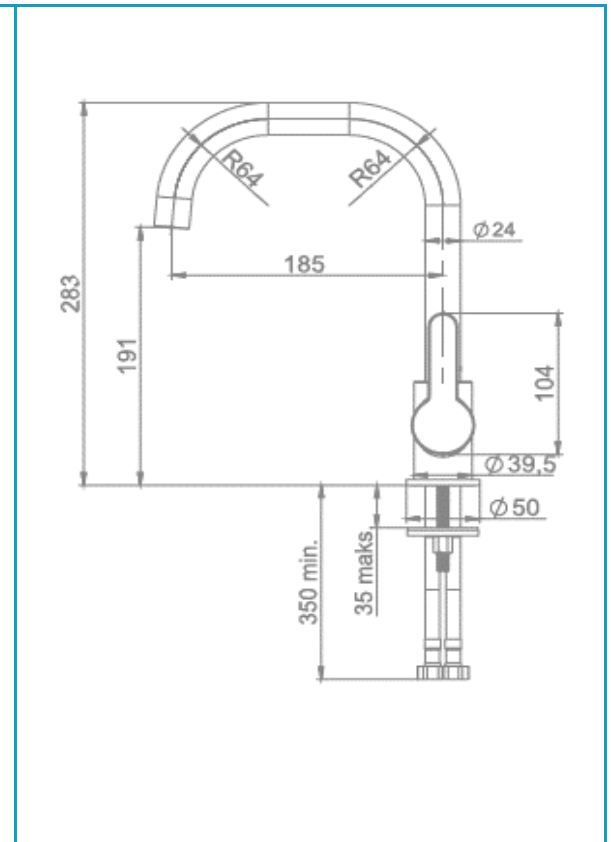
gala

Reference G3993300
Description Kitchen mixer
Collection MENA

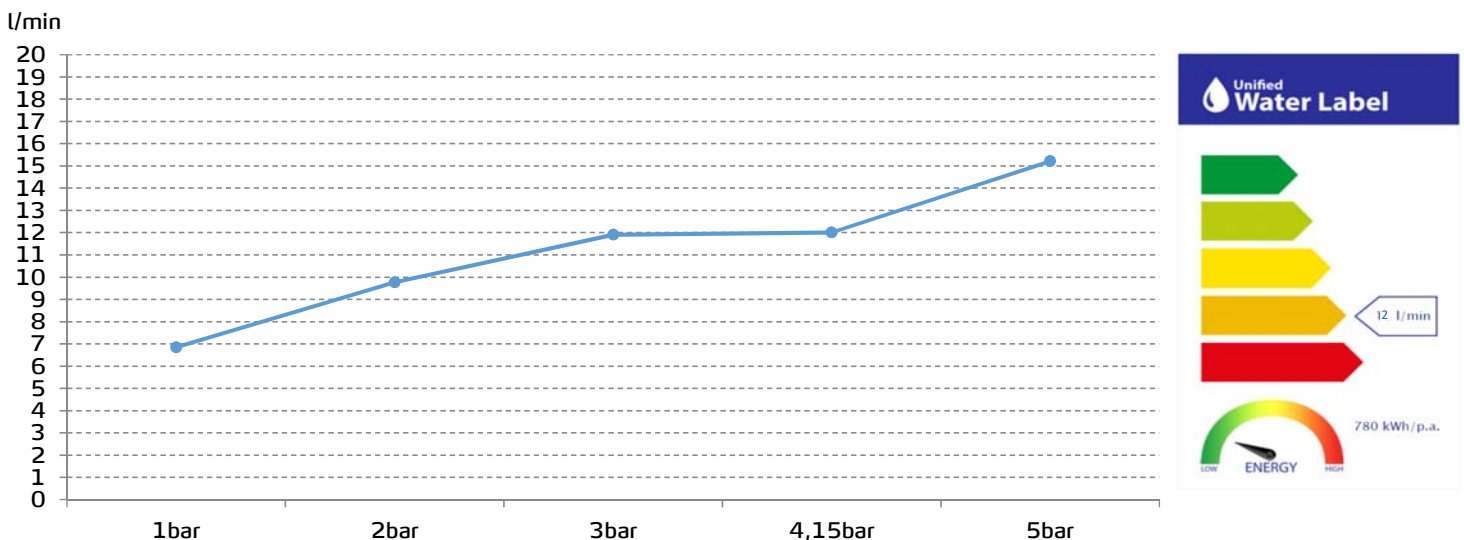


TECHNICAL SPECIFICATIONS

- Single lever mixer with cold start
 - Rotating spout
 - AENOR certification (in progress)
 - Contributes to obtaining BREEAM, LEED and VERDE certifications through its sustainable use of water
 - Produced with recycled materials
 - The alloy used to produce it is included in the "European Positive List" (no migration of hazardous materials to water)
 - Low noise level
 - G-Last chrome technology: high resistance against scratches
- Ceramic discs cartridge $\varnothing 35$ mm
- 3/8" flexible connection hoses included



FLOW RATE



Data measured in maximum flow position with mixed water