

# gala

**Reference** G3995100  
**Description** Kitchen mixer  
**Collection** ODRA

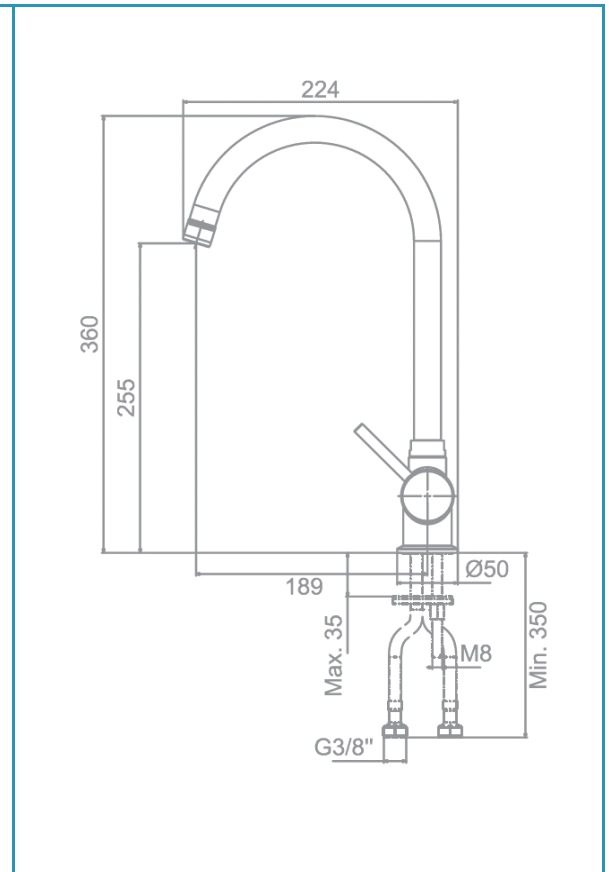


## TECHNICAL SPECIFICATIONS

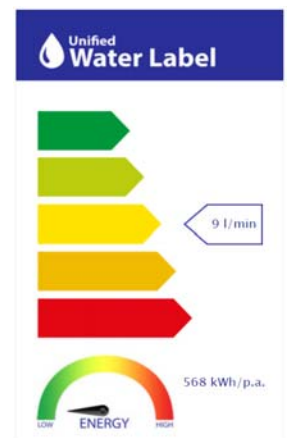
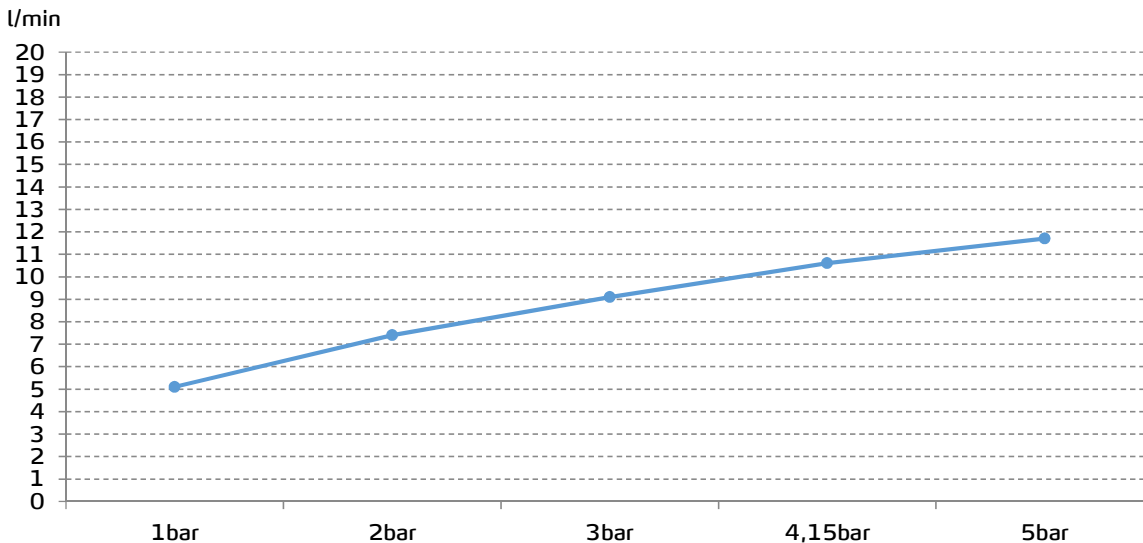
- Single lever mixer with cold start
- Rotating spout
- AENOR certification
- Contributes to obtaining BREEAM, LEED and VERDE certifications through its sustainable use of water
- Produced with recycled materials
- The alloy used to produce it is included in the "European Positive List" (no migration of hazardous materials to water)
- Low noise level
- G-Last chrome technology: high resistance against scratches

Ceramic discs cartridge  $\varnothing 35$  mm

3/8" flexible connection hoses included



## FLOW RATE



Data measured in maximum flow position with mixed water