

# gala

**Reference** G3931200  
**Description** Basin mixer with high spout  
**Collection** BALANCE



## TECHNICAL SPECIFICATIONS

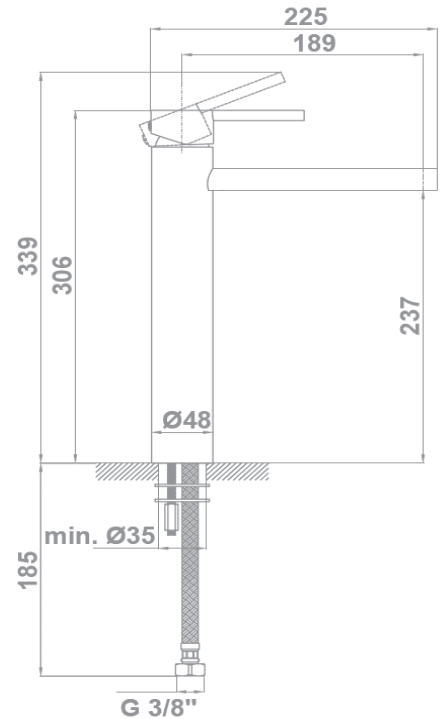
- Single lever mixer with cold start
- Eco-friendly cartridge with two-step opening
- Flow restrictor to 5 l/min included

Ceramic discs cartridge  $\varnothing 40$  mm

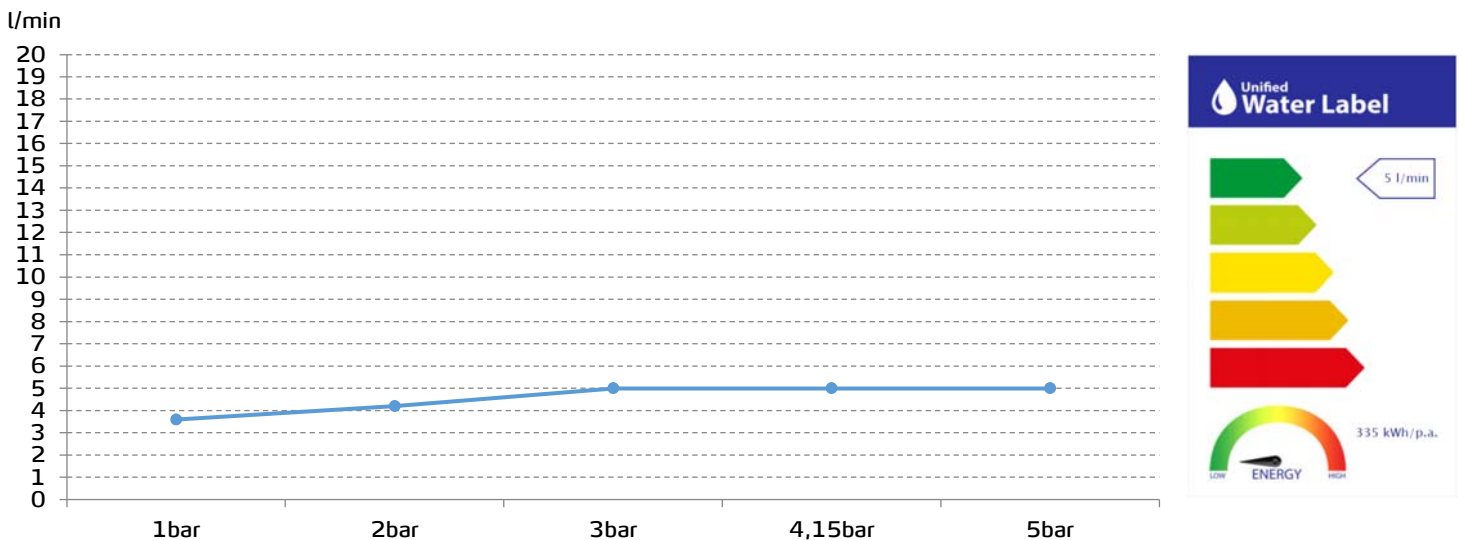
Anti-vandal aereator with limescale protection and integrated filter against particles

3/8" flexible connection hoses included

Installation with up-down valve



## FLOW RATE



Data measured in maximum flow position with mixed water