

gala

Reference G3947600
Description Kitchen mixer with pull-out spout
Collection G09



TECHNICAL SPECIFICATIONS

Includes a 2 function extractable head shower with divertor



Rotating spout



Produced with recycled materials



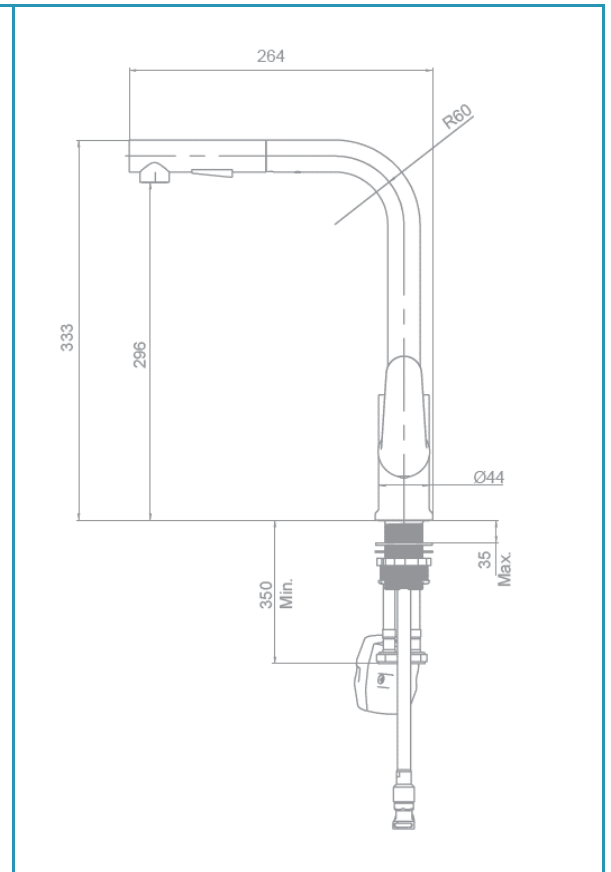
The alloy used to produce it is included in the "European Positive List" (no migration of hazardous materials to water)



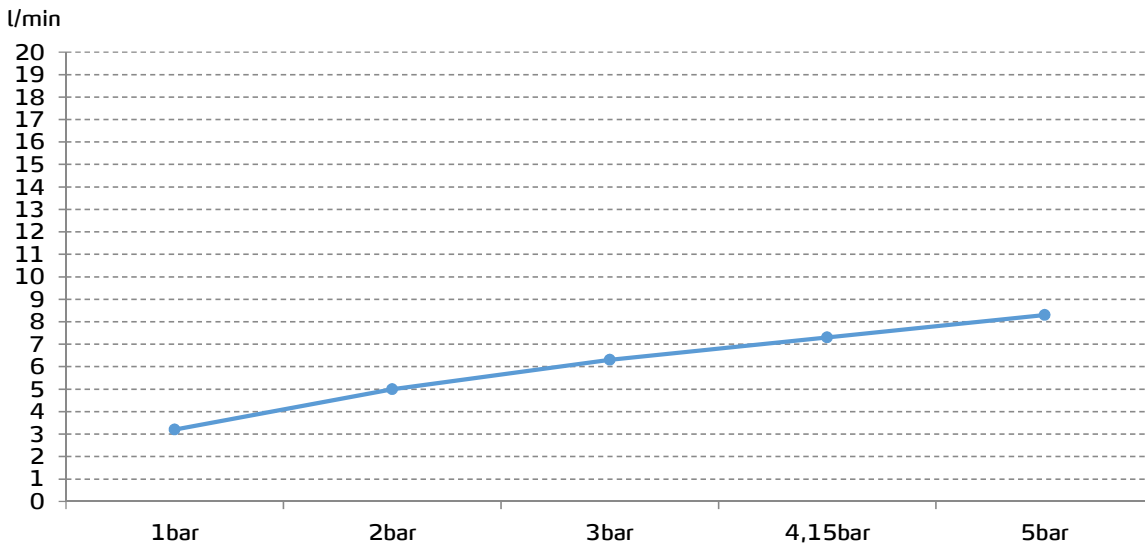
G-Last chrome technology: high resistance against scratches

Ceramic discs cartridge $\varnothing 35$ mm

3/8" flexible connection hoses included



FLOW RATE



Data measured in maximum flow position with mixed water