

# gala

**Reference** G3987100  
**Description** Basin mixer with high spout  
**Collection** CUBO



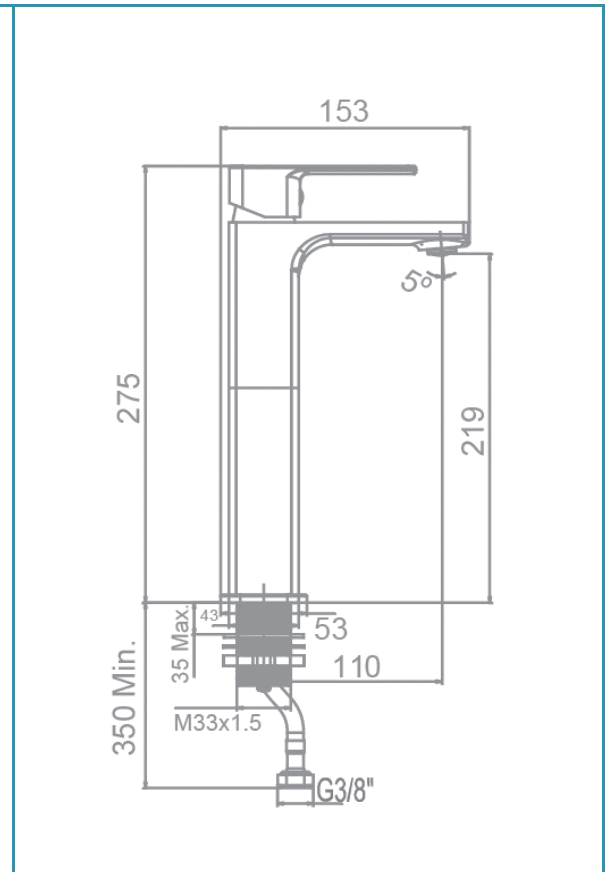
## TECHNICAL SPECIFICATIONS

- Single lever mixer with cold start
- Flow restrictor to 5 l/min included
- Produced with recycled materials
- The alloy used to produce it is included in the "European Positive List" (no migration of hazardous materials to water)
- G-Last chrome technology: high resistance against scratches

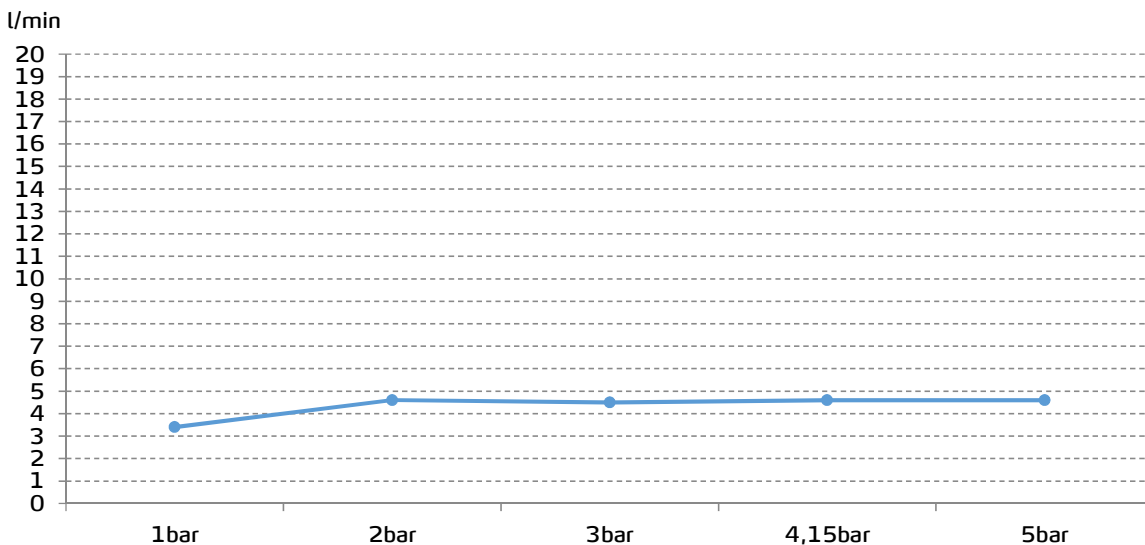
Ceramic discs cartridge  $\varnothing 35$  mm

3/8" flexible connection hoses included

Installation with up-down valve



## FLOW RATE



Data measured in maximum flow position with mixed water