

gala

Reference G3989000
Description Kitchen mixer
Collection GADEA



TECHNICAL SPECIFICATIONS



Single lever mixer with cold start



Produced with recycled materials



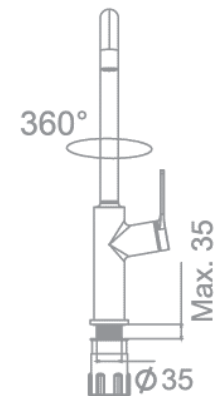
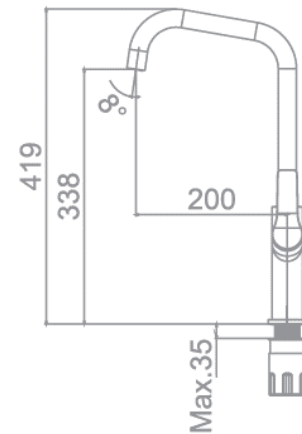
The alloy used to produce it is included in the "European Positive List" (no migration of hazardous materials to water)



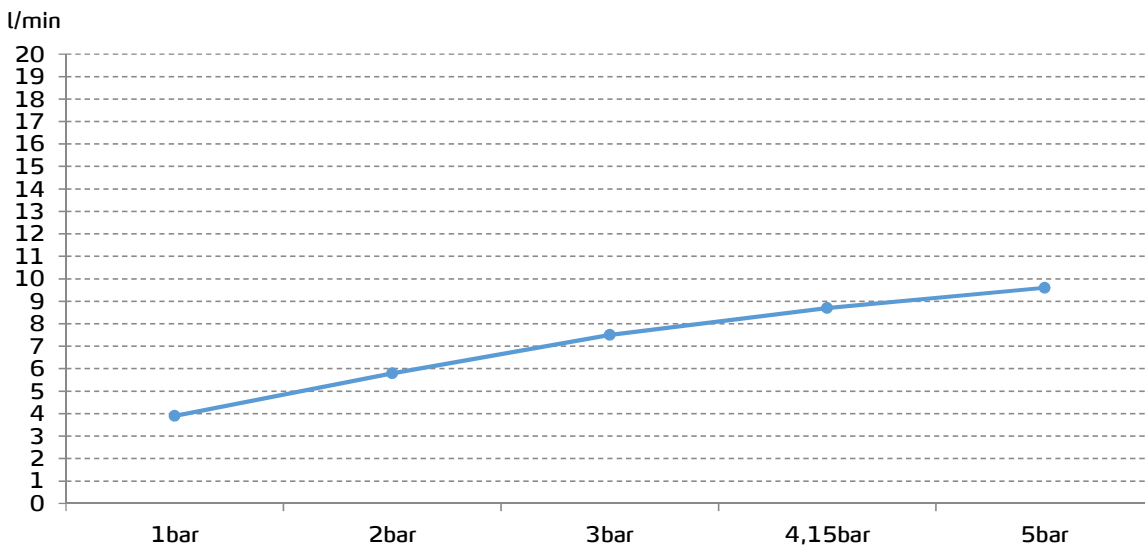
G-Last chrome technology: high resistance against scratches

Ceramic discs cartridge $\varnothing 35$ mm

3/8" flexible connection hoses included



FLOW RATE



Data measured in maximum flow position with mixed water