

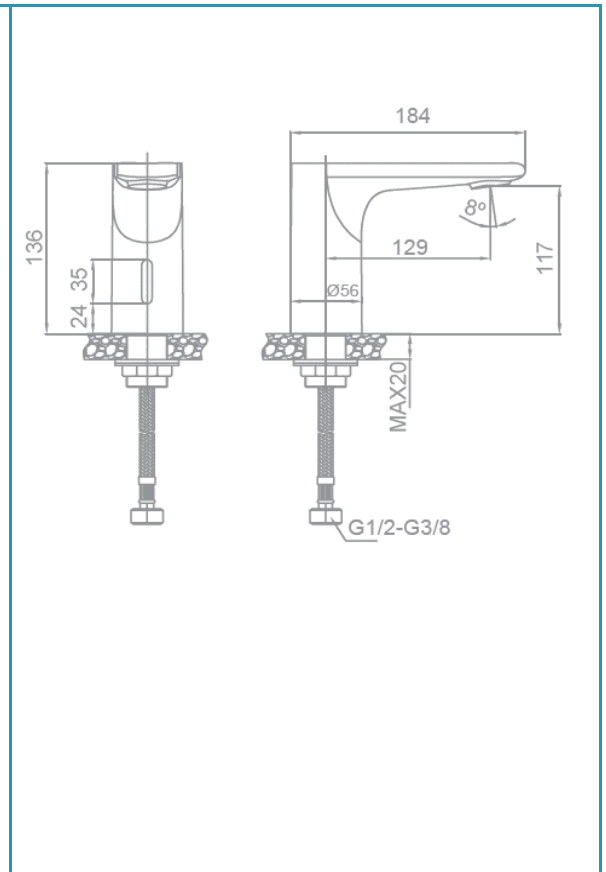
gala

Reference G3989500
Description Electronic basin tap
Collection ELECTRONICS

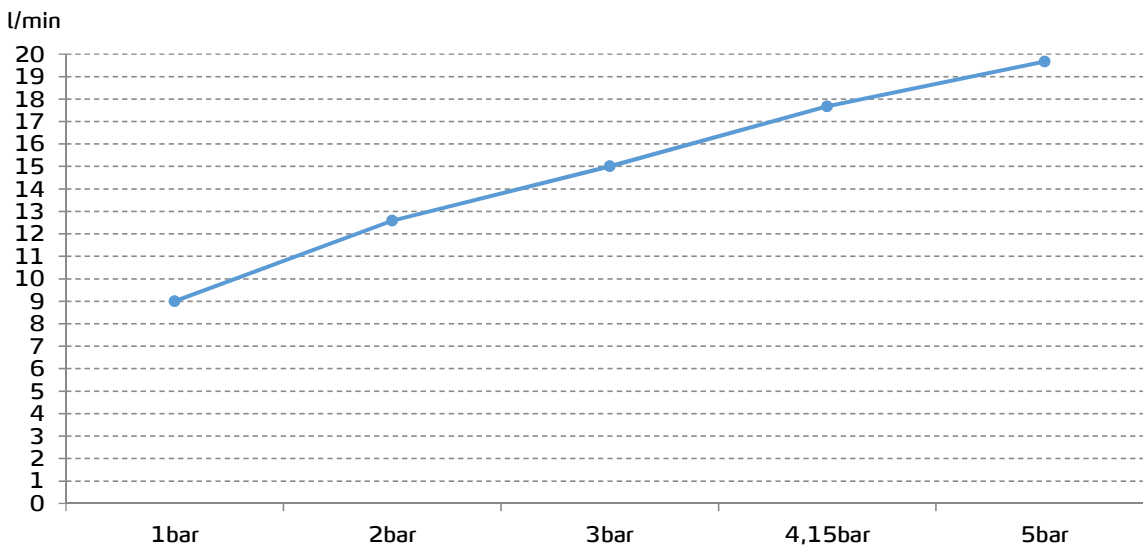


TECHNICAL SPECIFICATIONS

- One water tap
- Anti-vandal aerator
- Power supply (220V) and with batteries (4 x 1,5V)
- Sensor-activated
- 3/8" flexible connection hose included
- Installation with up-down valve



FLOW RATE



Datos medidos en posición de mezcla y máxima apertura