

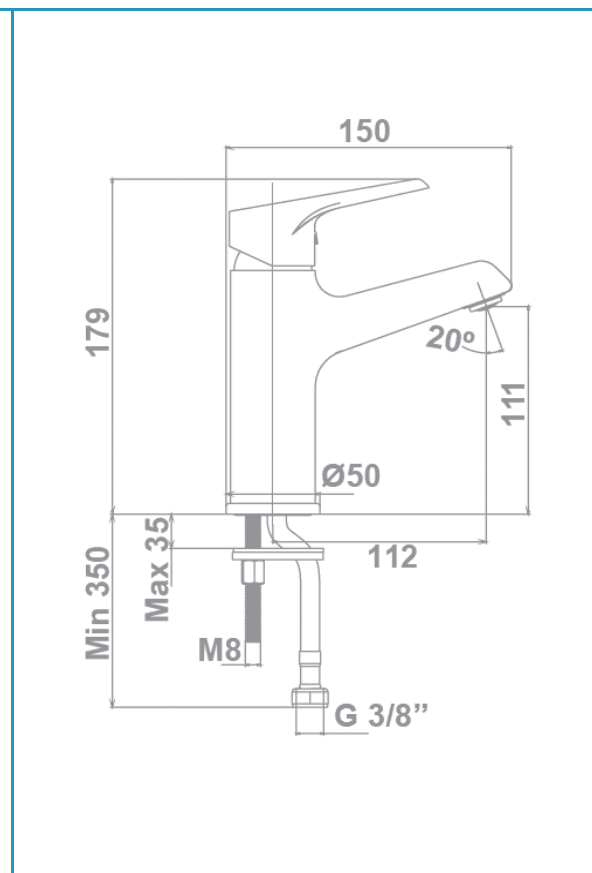
gala

Reference G3990000
Description Basin mixer
Collection CLUNIA

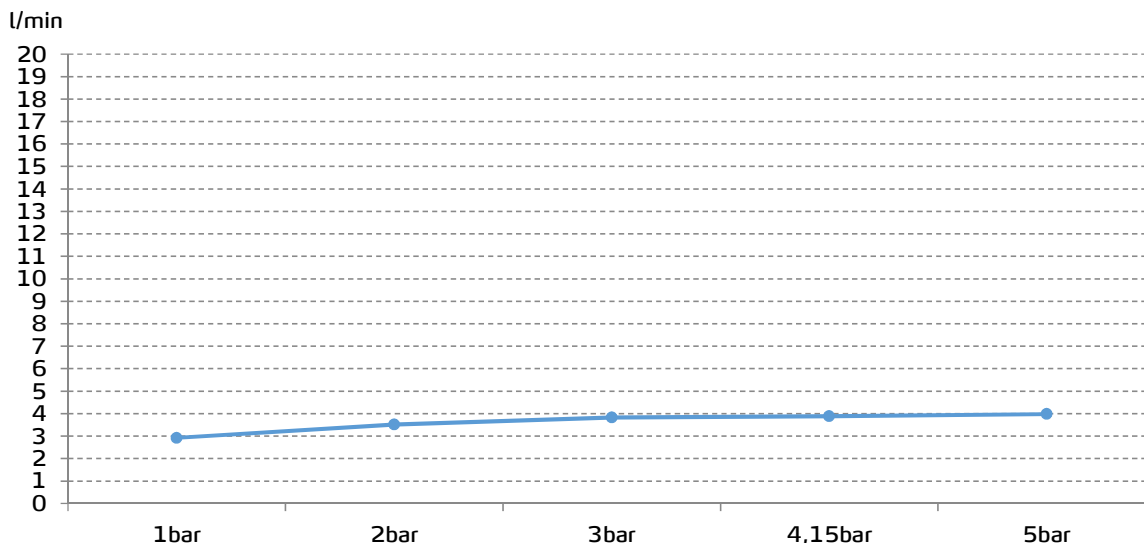


TECHNICAL SPECIFICATIONS

- Single lever mixer with cold start
 - Flow restrictor to 5 l/min included
 - AENOR certification
 - Contributes to obtaining BREEAM, LEED and VERDE certifications through its sustainable use of water
 - Produced with recycled materials
 - The alloy used to produce it is included in the "European Positive List" (no migration of hazardous materials to water)
 - Low noise level
 - G-Last chrome technology: high resistance against scratches
- Ceramic discs cartridge $\varnothing 35$ mm
- 3/8" flexible connection hoses included
- Installation with up-down valve



FLOW RATE



Data measured in maximum flow position with mixed water