




gala

Reference G3992200
Description Built-in basin mixer
Collection MENA



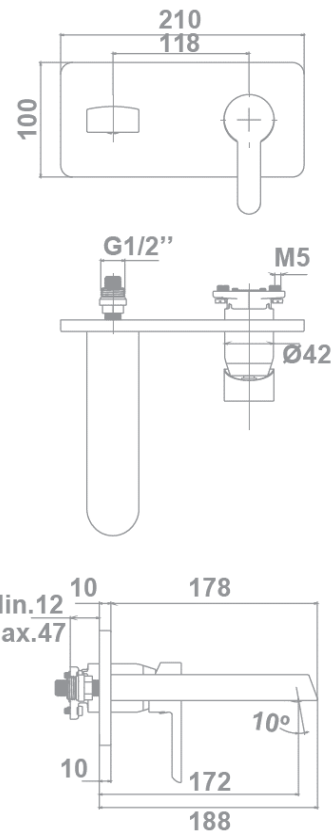
TECHNICAL SPECIFICATIONS

Built-in basin mixer with 17,8 cm spout

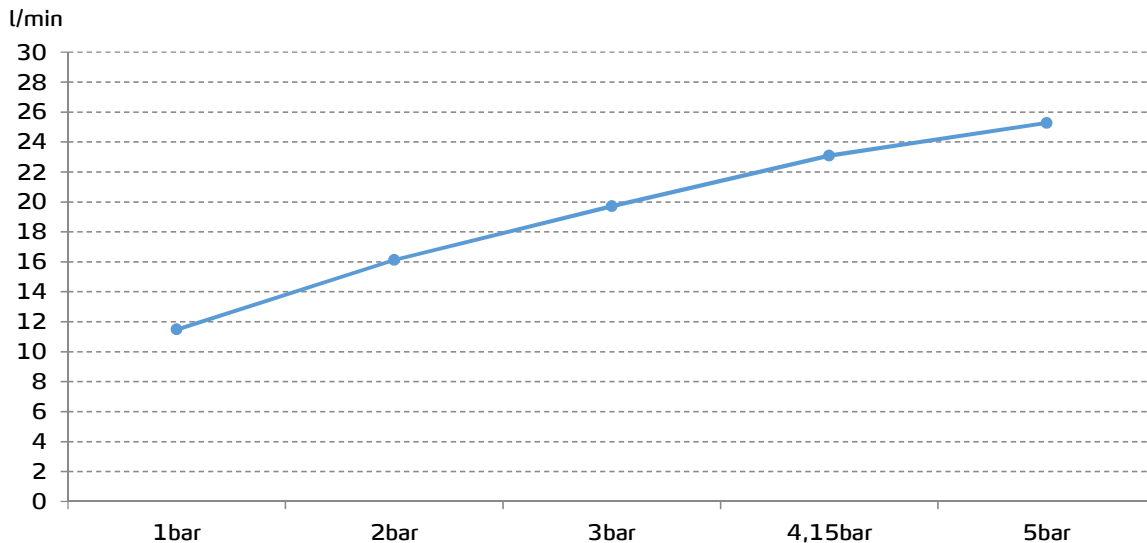
-  Produced with recycled materials
-  The alloy used to produce it is included in the "European Positive List" (no migration of hazardous materials to water)
-  G-Last chrome technology: high resistance against scratches

Ceramic discs cartridge $\varnothing 35$ mm

Installation with up-down valve



FLOW RATE



Data measured in maximum flow position with mixed water