

gala

Reference G3997300
Description Shower mixer with shower set
Collection LORA



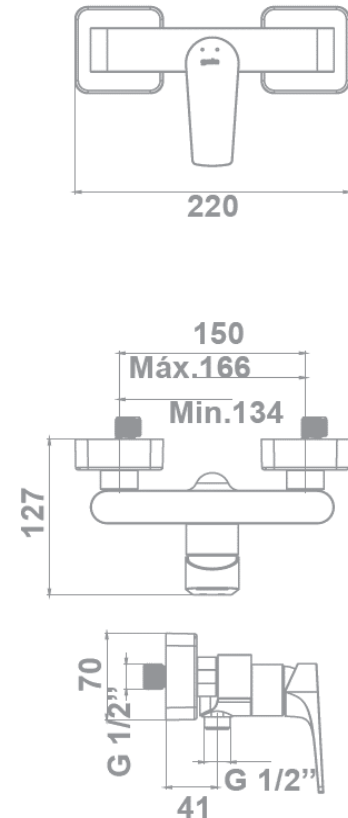
TECHNICAL SPECIFICATIONS

- Flow restrictor to 9 l/min included
- AENOR certification
- Contributes to obtaining BREEAM, LEED and VERDE certifications through its sustainable use of water
- Produced with recycled materials
- The alloy used to produce it is included in the "European Positive List" (no migration of hazardous materials to water)
- Low noise level
- G-Last chrome technology: high resistance against scratches

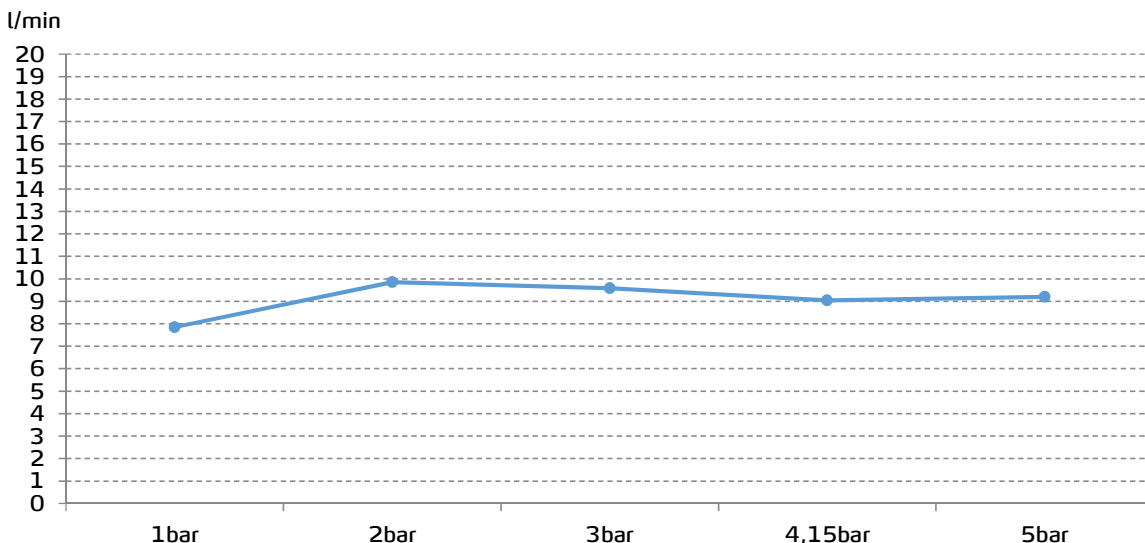
Ceramic discs cartridge $\varnothing 35$ mm

Shower set included:

- 170 cm flexible hose
- $\varnothing 10$ cm hand shower. 3 functions
- Hand shower holder



FLOW RATE



Data measured in maximum flow position with mixed water