




# gala

**Reference** G39980..  
**Description** Basin mixer  
**Collection** HAZA



## TECHNICAL SPECIFICATIONS

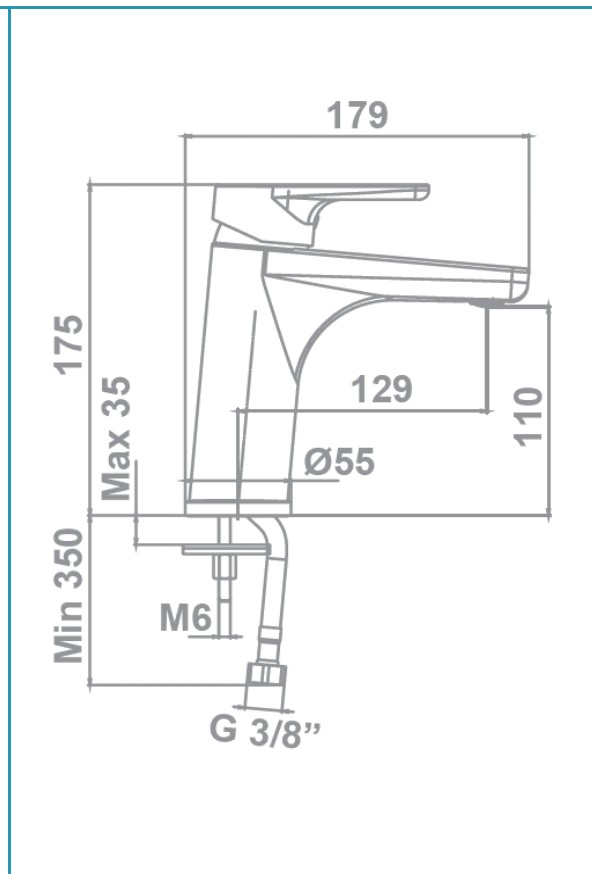
Available finishings: chrome and black

-  Produced with recycled materials
-  The alloy used to produce it is included in the "European Positive List" (no migration of hazardous materials to water)
-  G-Last chrome technology: high resistance against scratches

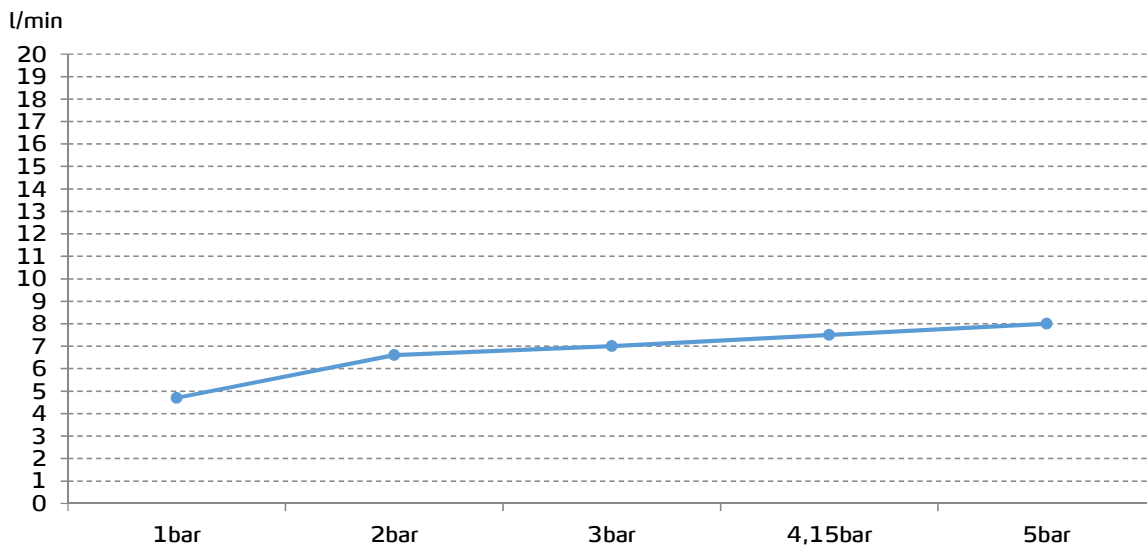
Ceramic discs cartridge  $\varnothing 35$  mm

3/8" flexible connection hoses included

Installation with up-down valve



## FLOW RATE



Data measured in maximum flow position with mixed water