

gala

Reference G39986..
Description Bath and shower mixer
Collection HAZA



TECHNICAL SPECIFICATIONS

Available finishings: chrome and black



Produced with recycled materials

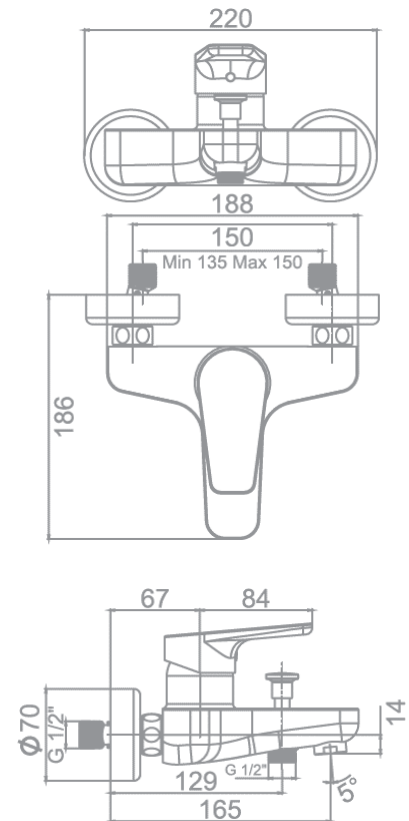


The alloy used to produce it is included in the "European Positive List" (no migration of hazardous materials to water)

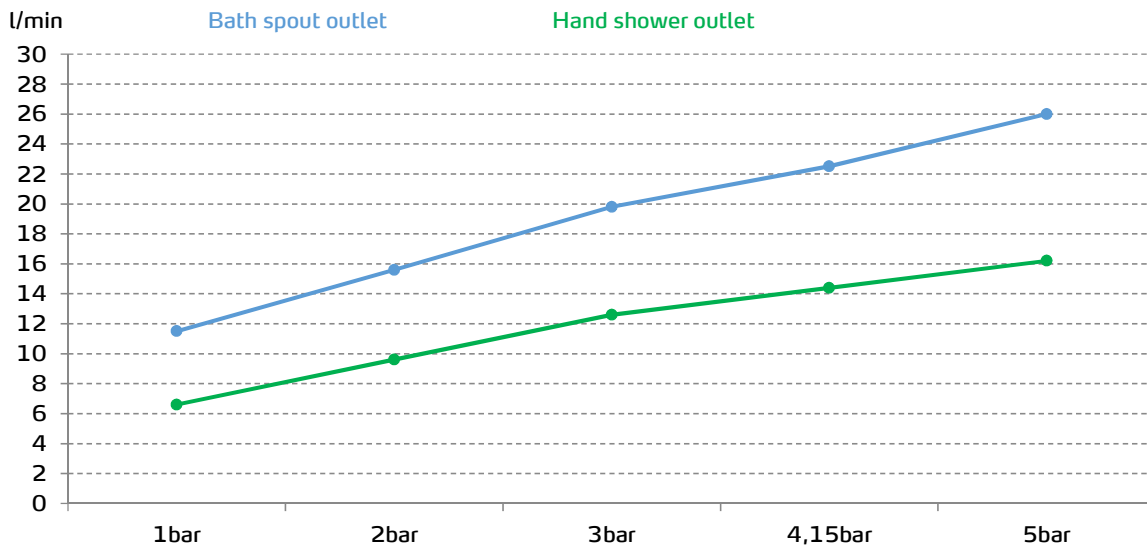


G-Last chrome technology: high resistance against scratches

Ceramic discs cartridge $\varnothing 35$ mm



FLOW RATE



Data measured in maximum flow position with mixed water