

gala

Reference G4176100
Description Floor-standing bath and shower mixer
Collection BALANCE



TECHNICAL SPECIFICATIONS



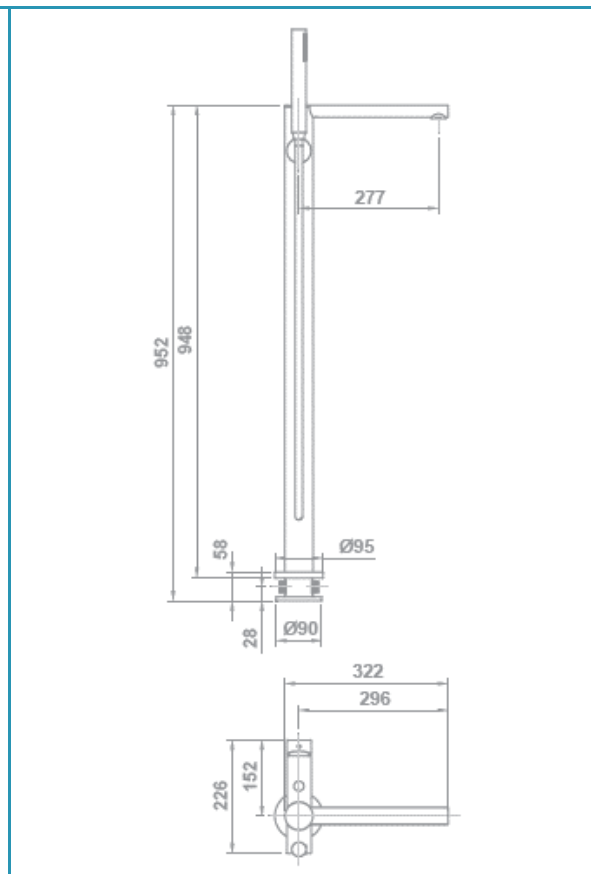
Eco-friendly cartridge with two-step opening

Ceramic discs cartridge $\varnothing 40$ mm

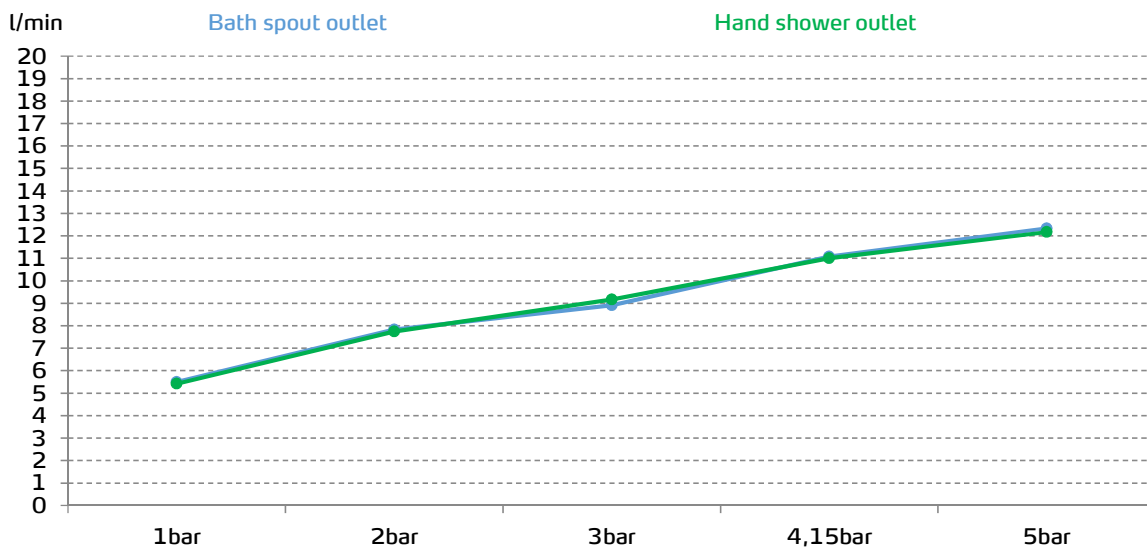
Shower set included:

- 170 cm satin flexible hose
- Hand shower
- Hand shower holder

Pre-installation of water outlet required



FLOW RATE



Data measured in maximum flow position with mixed water